

Sumner County Schools 84 passenger Transit Bus Front Engine School Bus Specifications

Quantity: 10

**Notes to Bidder:** 1. Bidder must have a fully licensed in-state sales and service facility. **State Dealer License # is** \_\_\_\_\_

2. Salesman's dealer license # is \_\_\_\_\_

4. You must return a copy of these specs with your bid response noting all exceptions and deviations.

5. Factory direct deliveries are not acceptable, product must have a pre-delivery inspection at in-state facility.

6. Please state earliest delivery date:

**Equipment**

**Description**

**YES NO**

**List Exception**

Bus Type

D

TN Specifications

Must meet all state and federal school bus requirements

Engine location

Front

Year Model

New model 2020 or newer

Seating Capacity

84

Delivery

1500 Airport Rd, Gallatin, TN 37066

Manuals

Include owners manual

Service Training

Provide a minimum of 12 hours product service training at no charge for body and chassis components @ SCS

Warranty-Body

Specify Warranty

**CHASSIS**

**CHASSIS**

Axle Ratio

5.29 or 65mph road speed

Air Compressor

18.7 CFM, minimum

Air dryer

Merator Wabco SS 1200 - parts # 5400850-7010 or equivalent

Air tanks

4,500 cubic inch capacity, Bendix DV-2 with Heater

Alternator

200 or more amp, Delco or Leece Neville

Axle, front

13,200 lbs. minimum with oil bath with synthetic lube

Axle, rear

23,000 minimum lbs. with synthetic lube

Batteries

3 - 1950 CCA 31 series

Battery Emgcy Disconnect

Factory Installed in Battery Department

Block Heater	750 watt with bumper mounted receptacle		
Brakes	Outboard drum type w/ auto slack adjusters		
Brakes	ABS with diagnostic light in dash		
Brakes, front	16.5" x 6" minimum		
Brakes, rear	16.5" X 8- 5/8" minimum		
Bumper 3/16" steel, front	12" with crossing control arm and stowage bracket		
Bumper 3/16" steel, rear	Concave design		
Cooling system	Radiator to have 745 or greater square inches		
Driveline	Guards around each shaft		
Engine Rating	220 HP. Minimum		
Engine Type	Inline 6 cylinder diesel, Cummins ISB, no exceptions		
Exhaust	Below/rear bumper with exhaust mitigator		
Frame	50,000 lbs. psi with rear mounted tow hooks		
Fuel filter	Fuel Water Separator/ Cartridge type at the engine		
Fuel / Water separator	Davco 382-C with heater or compatible product		
Fuel Tank	60 gal. between frame rails, fuel door with thumb latch		
Fuel Tank	Include fuel fill door & sender access plate at interior floor		
High/Low Idle Throttle	Electronic		
Instruments	Speedometer, Voltmeter, Oil pressure, Dual air gauges		
Instruments	Transmission temperature gauge, fast idle switch		
Instruments	Air filter restriction indicator, cruise control		
Shocks	Front and rear		
Springs, front	3 leaf parabolic front springs comenserate with GVWR		
Suspension	front trac 52" or Hendrickson rear springs with 20,000 lbs. or greater rating		
Starting aid	Grid heater		
Steering wheel	Tilt and telescopic steering column		
Tires	Seven (7) 11R22.5 16 ply, Michelin, mounted spare		
Tow hooks	Front and rear mounted		
Transmission	Allison 2500 Series 5 speed, transynd fluid & fuel sense		
Wheel Base	231" or greater		
Wheels	Disc hub piloted, 22.5 X 8.25 powder coated black		
Wiring	Coded-full multiplex body and chassis or Integrated Multiplex		
Warranty-Engine/Trans	5 year or greater engine and transmission warranties		

<b>BODY</b>	<b>BODY</b>		
Access Panels	Located above windshield and driver, access without tools		
Child Reminder	Passenger advisory system (not in side panel) CRS brand		
Crossarm	Electric Operated polycarbonate crossarm		
Defroster fans	Dual 6" dash mounted fans		
Door, emergency	upper & lower tinted glass with vandallock		
Door, entrance	Three position air outward opening with vandallock		
Directional Front	LED Lights in Turn Signal		
Driver Arm Rests	Dual folding or right folding and left console		
Header Storage	Safety Compartment in front header or over windshield		
Emergency exits	4 - push out windows w/ buzzers		
Emergency exits	2 - roof hatches, Specialty Pro Lo 9000 or Spheros equivalent		
Flooring	Black floor covering and Koroseal pebble entrance steps		
Flooring	1/2" or greater plywood with metal aisle trim		
Flooring	Rubber over wheelhousings		
Headroom	77 inches, minimum		
Headlining	Acoustic headlining full length of bus		
Heaters	190,000 BTU front & rear combination w/ removable filter		
Heaters	and stepwell heater 30,000 BTU's min. or integrated vents w/ front heater and defrost		
Heaters	Dash mounted water regulator valve		
Heaters	Dual heater cut off valves		
Identification	6" Black letters, both sides/ 6" numbers-four sides		
Identification	3/4" x 3" yellow right side rear bumper showing year model		
Insulation	Insulation in roof, front, rear, and side walls. R value = 6.0		
Insulation	1/2" sound absorbing foam installed under driver toeboard		
Lights	Dome lights to have dual rows with driver dome light		
Lights	Halogen headlights with daytime running light feature		
Lights	Warning lights to be LED with sun visor		
Lights	Marker, stop, tail directional, reverse, side lights to be LED		
Lights	Headlights (wig-wag) when red lights are activated		
Mirrors	Interior - 10" X 30" non-glare with visor, heated crossview		
Mirrors	Roscoe acoustyke-remote & heated with 15 minute timer		

	Front and Rear		
Mud Flaps		Yellow body with white roof, black rub rails and pilasters	
Paint		Copy of complete Bus Parts printout "on-line" no charge	
Parts Report		"SCHOOL BUS" front and rear caps to be reflective	
Reflective Tape		Side pushout windows and 2" rear of bus, 2" sides	
Reflective Tape		To be mechanically attached	
Roof Bows		One piece	
Rub rails		Provide four rubrails, painted black	
Radio		AM/FM/CD/Page/6 int. speakers, 1 ext. speaker	
Radio Speakers		8 Coaxial Speakers TBB-152991 or equivalent	
Safety		Fire Ext, Body Fluid Kit, Flares, First Aid Kit, Seat Belt Cutter	
Safety Compartment		FE, FAK, BFK to be mounted in bulk head compartment	
Seat Frames		Frames to be powder coated, black	
Seat Space		25" minimum knee space, include seat plan drawing	
Seat Barriers		Blue fire block, kick panel-right side, storage pouch-left side	
Seats / Driver		Air ride, pedistal cover, 2 shocks, fabric insert	
Seats / Driver		Lap/shoulder belt (orange) with warning indicator, adjustable back	
Seats / Passenger		39" DOT fire block blue upholstery	
Side Panels		Interior - Aluminized steel side walls	
Solenoid		Disconnect all body circuits, 100 amp minimum	
Strobe		Roof mounted Specialty 515-400 with guard or equal	
Stop arm		Transpec 2000 Electric Operated , spells "stop"	
Vents		2 - driver's fresh air & static roof vent	
Windows, Passenger		Black frames with 12" openings, tinted glass	
Windows Driver		Double sliding, aluminum sash, tempered	
Windshield		One piece or two piece tinted, bonded in place, tinted band across top	
Windshield		2 grip handles beside windshield and cowl steps	
Wipers		Intermittent feature on turn signal lever	
Wiring		Color & number coded	
Radio-Two way		wood NX-5800-SCPKG-25 Phase I & Phase II, CommTech @ 615-889-4756	
<b>Customer Fuse block</b>		Allows electrical access without using multiplex wiring	
Backing Alarm		112 db required	
Document Holder		To meet State specs	

Switch	Noise suppression switch to be provided			
Lettering	"Summer County Schools" #'s supplied to successful bidder			
Grille	Chrome or yellow grille, hood intake plenum, and headlight bezels			
Camera system	Safety Vision - connect to truck's driver's side camera attachment			
Camera lens	Please see attachment - Safety Vision			
Camera GPS antenna	Please see attachment - Safety Vision			
Fenders	Rubber or metal fenders around rear wheel opening			
Keys	All units to have common key			
Battery Box	Shall be frame mounted with battery cut off switch in box			
Under Carriage Storage	23.3 cubic ft. on driver's side and 27.2 cubic ft. on passenger side or equivalent			



Safety Vision  
6100 W. Sam Houston Pkwy.  
Houston, TX 77041  
Direct: 713-896-6600  
Fax: 713-896-6640

**Thank you for your request for proposal**  
If you have any questions or issues, just call  
us **TOLL FREE** at 1-800-880-8855

Stop Arm Camera Solution

2 External Cameras / 5 Internal Cameras

4112-HVR-1TBHDD	4112-HVR Kit With Standard 1TB Hard Drive.
41-GPS	GPS Module for 41 Series
41-PWRHRNS	Power Harness 4000/4100/4108/4112/4116
41-TRIGGER	Trigger Harness for 41 Series
4112-1TB-HDD	1 TB hard drive
4112-HVR	12 chan rec-8 analog 4 IP cam
SV-BATTERY-AAA	Alkaline AAA Battery
41-PANIC-KIT	Panic Button Kit for 41's
41-PANIC	Panic Button for 4108/4112/4116
41-PANIC-CABLE	Cable for 41-Panic. Use with all but the 4000HYB
4108-USB	3ft usb a to b
41-UPS	UPS back-up battery for the 4000-HVR, 4100-HVR & 4112-HVF
SV-DECAL	Audio & Video Recording in Progress

External Cameras

SV-EXT16-1080S	AHD curb side 16MM camera for 4100 & 4112 HVR
SV-EXT8-1080C	AHD curb side 8MM camera for 4100 & 4112 HVR

Internal Cameras

AHD-2.8M-WT	2.8mm camera for 4000
AHD-WV	AHD Wide View Camera
SVS-5MMF	5m M/F THREADED CABLE
SVS-10MMF	10m M/F THREADED CABLE
SVS-15MMF	15m M/F THREADED CABLE
41-WS-BRKT	front windshield bracket

# RICON TITANIUM LINE

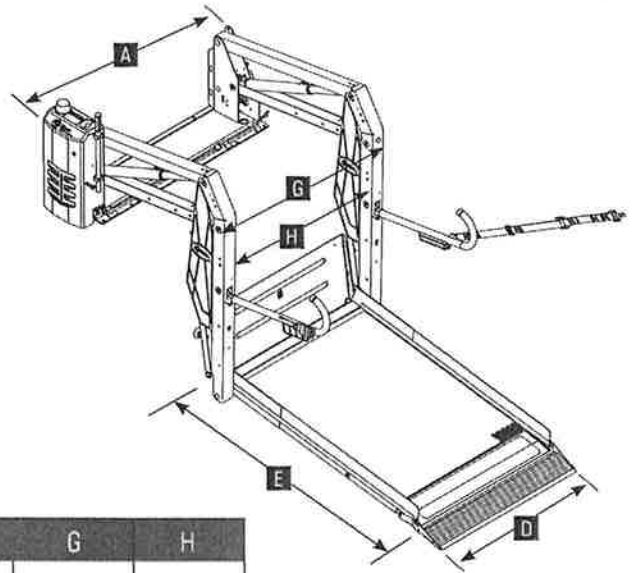
## S-SERIES® LIFT: Models: S2005-S5510

Rated Load Capacity ..... Up to 1000 lbs. / 454 kg\*  
 Lift Weight ..... Approx. 400 - 425 lbs. / 181 -193 kg  
 Power ..... Electro-Hydraulic  
 Hydraulic Cylinders ..... (2) each, 1.5" Power-Up / Gravity Down  
 Motor Rating @ 12V DC ..... 65 amp avg. / cycle 1750 psi  
 Manual Backup (up) ..... Hand Pump  
 Manual Backup (down) ..... Pressure Release Valve

\* Requires vehicle specific application engineering. Not intended for retrofit.

Dimensions Inches/Millimeters

	A	B	C	D	E	F	G	H
MODEL	Stationary Frame Width	Height (folded)	Installation Depth (folded)	Usable Platform Width	Usable Platform Length	Floor-to-Ground Travel	Traveling Frame Width	Clear Entry Width
S2005	47/1194	54/1372	14/356	32/813	51/1295	42/1067	40.5/1029	32/813
S2010	49/1245	57/1448	14/356	34/864	54/1372	42/1067	42.5/1080	34/864
S5505	47/1194	57.5/1461	15/381	32/813	51/1295	51/1295	41/1041	32/813
S5510	49/1245	57.5/1461	15/381	34/864	54/1372	51/1295	43/1092	34/864



- Audible/Visual Threshold Warning Display
- Optical Threshold Warning Sensors
- Inboard Rollstop Interlock
- Automatic Inner Barrier Rollstop
- Two-Tiered Outer Barrier
- LED Platform Lighting
- Cycle Counter

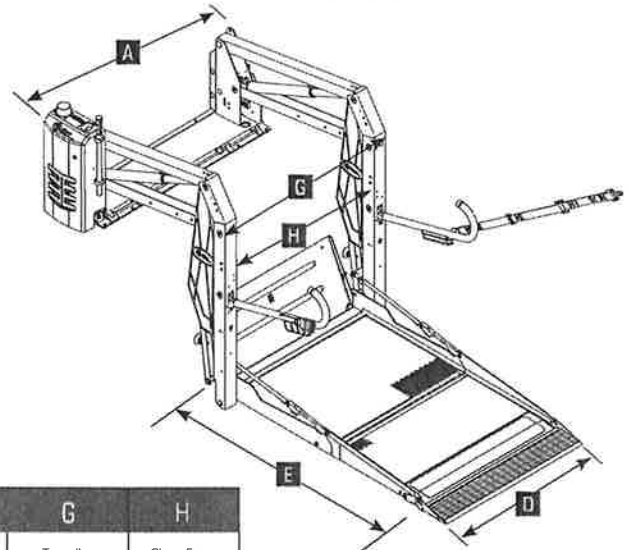
## K-SERIES® LIFT: Models: K2005-K5510

Rated Load Capacity ..... Up to 1,000 lbs. / 454 kg\*  
 Lift Weight ..... Approx. 400-425 lbs. / 181 -193 kg  
 Power ..... Electro-Hydraulic  
 Hydraulic Cylinders ..... (2) each, 1.5" Power-Up / Gravity Down  
 Motor Rating @ 12V DC ..... 65 amp avg. / cycle 1750 psi  
 Manual Backup (up) ..... Hand Pump  
 Manual Backup (down) ..... Pressure Release Valve

\* Requires vehicle specific application engineering. Not intended for retrofit.

Dimensions Inches/Millimeters

	A	B	C	D	E	F	G	H
MODEL	Stationary Frame Width	Height (folded)	Installation Depth (folded)	Usable Platform Width	Usable Platform Length	Floor-to-Ground Travel	Traveling Frame Width	Clear Entry Width
K2005	47/1194	54/1372	16.5/419	31/787	51/1295	37/940	40.5/1029	31.25/794
K2010	49/1245	54/1372	16.5/419	33/838	54/1372	37/940	42.5/1080	33.75/857
K5505	47/1194	57.5/1461	17.5/445	31/787	51/1295	48/1219	41/1041	31.25/794
K5510	49/1245	57.5/1461	17.5/445	33/838	54/1372	48/1219	43/1092	33.75/857



- Audible/Visual Threshold Warning Display
- Optical Threshold Warning Sensor
- Inboard Rollstop Interlock
- Automatic Inboard Rollstop
- Two-Tiered Outer Barrier
- LED Platform Lighting
- Cycle Counter

**CALL TOLL-FREE: 1-800-322-2884**

**RICONCORP.COM RICON CORPORATION**  
**1135 Aviation Place, San Fernando, CA 91340**

Copyright 2017 Ricon Corporation. Ricon, Titanium, S-Series, K-Series, KlearVue, Sto-Loc, Dura-Touch and EZ-Roll are trademarks of Ricon Corporation. All Rights Reserved. Ricon Corp. reserves the right to discontinue models or options at any time or change specifications, materials, equipment, or pricing without notice and without incurring obligation.

PN 32SL629-B (05 17 1M)

