

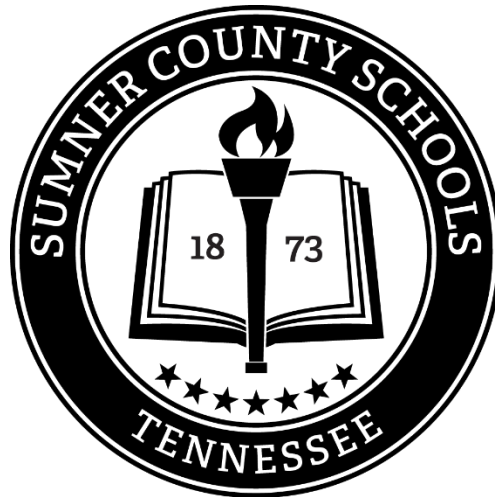
# REQUEST FOR PROPOSAL (RFP)

NUMBER: **20180628-BOE**

## SUMNER COUNTY BOARD OF EDUCATION

*This solicitation document serves as the written determination of the SCS Purchasing Supervisor that the use of Competitive Sealed Proposals for this solicitation is in the best interest of SCS.*

RFP Title: **Gallatin High Football Concession Stand**



### Purchasing Staff Contact:

Chris Harrison	Janice Wright
Purchasing Supervisor	Purchasing Coordinator
615-451-6560	615-451-6569
<a href="mailto:chris.harrison@sumnerschools.org">chris.harrison@sumnerschools.org</a>	<a href="mailto:janice.wright@sumnerschools.org">janice.wright@sumnerschools.org</a>

Release Date: June 18, 2018	Proposal Due Date: June 28, 2018 @ 2:00 p.m.
-----------------------------	--

*Any alterations to this document made by the proposer may be grounds for rejection of proposals, cancellation of any subsequent award, or any other legal remedies available to the Sumner County Board of Education.*

## NOTICE TO PROPOSERS

There may be one or more amendments to this RFP. In order to receive communication for any such amendments issued specifically to this RFP, the proposer must provide a Notice of Intent to Propose to the Sumner County Board of Education (SCS) Purchasing Department. The proposer must utilize this form when submitting notice. The notice may be sent by email to: Purchasing Office, [purchasing@sumnerschools.org](mailto:purchasing@sumnerschools.org). SCS will send amendments only to those proposers which complete and return this information by the deadline list in the RFP Schedule of Events (Section 4).

RFP Number: **20180628-BOE Gallatin High Football Concession Stand**

Company Name: \_\_\_\_\_

Mailing Address: \_\_\_\_\_

\_\_\_\_\_

\_\_\_\_\_

Phone Number: \_\_\_\_\_

Contact Person: \_\_\_\_\_

Email Address: \_\_\_\_\_

Authorized Signature \_\_\_\_\_

Printed Name \_\_\_\_\_

Date \_\_\_\_\_

Emailed amendments will be sent in a Microsoft Word (Office for Windows) or Portable Document Format (pdf) format. Any alterations to the document made by the proposer may be grounds for rejection of proposal, cancellation of any subsequent award or any other legal remedies available to the Sumner County Board of Education.

Amendments will also be posted on the SCS website <https://sumnerschools.org/index.php/current-bids-and-rfps> and attached to the solicitation listing as a PDF or WORD file. Check the particular solicitation on the Current Bids and RFPs webpage for any posted amendments.

By completing and returning this form, the Proposer has expressed its intent to provide a proposal for **20180628-BOE Gallatin High Football Concession Stand**.

## TABLE OF CONTENTS

1. Introduction/Overview
  - 1.1. Purpose
  - 1.2. Contact Information
2. Requirements
  - 2.1. Scope of Work/Specifications
3. Source Selection and Contract Award
4. Schedule of Events
5. Instructions for Proposal
  - 5.1. Required Forms
  - 5.2. New Vendors
  - 5.3. Acknowledgement of Insurance Requirements
  - 5.4. Clarification and Interpretation of RFP
  - 5.5. Proposal Package
  - 5.6. Delivery of Proposals
  - 5.7. Evaluation of Proposals
  - 5.8. Request for Clarification of Proposals
  - 5.9. Protests
6. Attachments
  - 6.1. Contact Information
  - 6.2. Bid Form/Certification
  - 6.3. References
  - 6.4. Certification Regarding Debarment or Suspension
  - 6.5. Condition of Submitting Proposal
  - 6.6. Statement of Non-Collusion
  - 6.7. Attestation Re Personnel
  - 6.8. Drug Free Workplace Affidavit
  - 6.9. IRS Form W-9  
*\*An online, fillable version can be found at <https://www.irs.gov/pub/irs-pdf/fw9.pdf>*
  - 6.10. Standard Terms & Conditions
  - 6.11. Vendor Checklist
  - A-1 Plan Drawing #1
  - A-2 Plan Drawing #2

1. Introduction/Overview

1.1. Purpose

The Sumner County Board of Education (SCS) is requesting sealed proposals for the construction of an addition to the existing Gallatin High Football Field House, as specified herein.

1.2. Contact Information

Unauthorized contact regarding this RFP with employees or officials of SCS other than the Purchasing Supervisor named below may result in disqualification from this procurement process.

Interested parties must direct all communication regarding this RFP to the following, who is SCSs only official point of contact for this RFP.

**RFP Process:**

Chris Harrison  
Purchasing Supervisor  
1500 Airport Road  
Gallatin, TN 37066  
(615) 451-6560  
[chris.harrison@sumnerschools.org](mailto:chris.harrison@sumnerschools.org)

**Scope of Work:**

Tim Williams  
615-604-7015  
[tim.williams@sumnerschools.org](mailto:tim.williams@sumnerschools.org)

Haynes Sloan Jr.  
615-294-5906  
[haynessloan@gmail.com](mailto:haynessloan@gmail.com)

## 2. Requirements

### 2.1. Scope of Work / Specifications

#### **GENERAL SCOPE OF WORK**

**A.** Provide all equipment and materials and do all work necessary to construct an addition to the existing Gallatin High Football Field House, as specified herein. The existing Field House is located behind the Sumner County School Central Office located at 695 East Main Street, Gallatin TN 37066.

#### **I. SUBMITTALS**

##### **A. Signed Bid Form**

##### **B. References**

Bidder shall submit references of no less than three previous clients, including full contact information, which shall be included with the bid.

#### **II. QUALITY ASSURANCE**

**A.** A one-year warranty backed by the selected bidder for materials and workmanship will be required. The warranty date shall begin upon a Notice of Substantial Completion being provided from the Owner to the selected Bidder.

**B.** All local codes will govern.

#### **III. PRE-BID MEETING**

**A.** A non-mandatory pre-bid meeting will be held on Thursday, June 21, 2018 at 10:00 A.M. local time at the Project Site adjacent to the football field behind 695 East Main Street, Gallatin TN 37075

#### **IV. PROJECT SCHEDULE**

**A.** If an acceptable bid(s) is received, a recommendation will be made to the Sumner County Board of Education for approval at their July 3, 2018 Special Called Meeting. If approved, a notice to proceed will be provided to the successful bidder upon the execution of AIA Document A101-2007 Standard Form Agreement Between Owner and Contractor document, any required bonds as specified herein, and Certificate of Liability Insurance are provided to the Owner.

**B.** Project completion shall be on, or before, September 15, 2018. Liquidated damages in the amount of \$500 per day may be assessed for every day past the project completion date not approved in writing by the owner.

### **Specification for Concession Addition**

**GENERAL** – All work must comply with all local, state, & national codes at no additional cost to the Owner. Installation of material shall be installed to the material manufacturer's recommendations and/or specifications unless written deviation is obtained from the Owner. All work shall be completed in a professional and workmanlike manner.

All trade specific permits will be applied for and paid for by the Contractor. The Contractor will provide & pay for the Building Permit.

#### **SPECIAL CONDITIONS:**

1. The Owner shall have the right to inspect all concealed work before it is covered (i.e., rebar, forming, insulation, foundation sealing, rough plumbing and wiring, etc.). If the Owner, or Project Manager, does not respond within 48 hours of written notification, the Contractor may proceed.
2. The Contractor shall specify all critical materials selection decision dates, if any, within 1 week after award of the contract. The completion date should not exceed September 15, 2018
3. Payments will be made on a progressive monthly basis. Monthly invoices should include a breakdown of the invoice in % complete by subcontract & by major self-performed activity. Payments will not be made until all Lien Releases are received from subcontractors for payments previously paid. All pay applications shall be submitted to the Project Manager for review and certification. The Project Manager shall then submit to the Owner for payment processing. The Final Payment will not be released until the Owner receives lien releases for all work and all materials supplied by significant contractors & suppliers and a Notice of Completion has been filed with the local governing authority.
4. All materials and debris generated by this Contractor's construction activity shall be removed from the site by this Contractor.

#### **SPECIAL NOTES:**

Scope of work is for the construction of the concession space only and does not include any equipment depicted in the drawings. Those are to identify locations of utility connections, the size and exact location to be determined by the Project Manager.

See Sheets A-1 and A-2 for additional design detail.

### 3. Source Selection and Contract Award

- Award(s), if made, will be made to the Responsive and Responsible proposer(s) whose proposal is most advantageous to SCS, taking into consideration price and the other evaluation criteria set forth in the RFP.
  - General Criteria to be determined “Responsive”
    - Does the proposal include all required information, included completed attachment forms and affidavits?
    - Was the proposal delivered on or before the stated deadline? Did it include the required number of copies (hard & electronic)?
  - General Criteria to be determined “Responsible”
    - Does the Proposer demonstrate an understanding of SCSs needs and proposed approach to the project?
    - Does the Proposer possess the ability, capacity, skill and financial resources to provide the service?
    - Can the Proposer take upon itself the responsibilities set forth in the RFP and produce the required outcomes in a timely fashion?
    - Does the Proposer have the character, integrity, reputation, judgement, experience and efficiency required for the project?
- SCS reserves the right to enter into discussions with Proposers which have submitted proposals determined to be reasonably like of being considered for selection to assure a full understanding of and responsiveness to the RFP requirements. Every effort shall be afforded to assure fair and equal treatment with respect to the opportunity for discussion and/or revision of their respective proposals. Revisions may be permitted after the submission and prior to the award for the purpose of obtaining the best offers.
- SCS reserves the right to negotiate price and contract terms and conditions with the most qualified proposer(s) to provide the requested service. If a mutually beneficial agreement with the lowest responsive and responsible Proposer is not reached, SCS reserves the right to enter into contract negotiations with the next lowest proposer and continue this process until an agreement is reached.
- Upon mutual agreement by both parties, SCS shall grant the right to extend the terms, conditions and prices of contract(s) awarded from this RFP to other Institutions (such as State, Local and/or Public Agencies) who express an interest in participating in any contract that results from this RFP. Each of the “piggyback” Institutions will issue their own purchasing documents for purchase of the goods/services. Proposer agrees that SCS shall bear no responsibility or liability for any agreements between Proposer and the other Institution(s) who desire to exercise this option.

### 4. Schedule of Events

<b>RFP Issued</b>	June 18, 2018
<b>Non-Mandatory Pre-Bid Meeting</b>	June 21, 2018 @ 10:00 a.m. at Jobsite
<b>Questions DEADLINE</b>	June 25, 2018
<b>RFP Submission DEADLINE</b>	June 28, 2018 @ 2:00 p.m. Local Time

## 5. Instructions for Proposal

### 5.1. Required Forms

- Proposer must complete and submit the Attachments in Section 6. Attachments may be omitted depending on the RFP requirements. Refer to the Table of Contents for omitted Attachments.
- Evidence of a valid State of Tennessee Business License and/or Sumner County Business License.
- For all vendors with annual purchases in excess of \$50,000; a Sumner County Business License must be on file with the SCS Finance Department. Evidence of the license must be provided within ten (10) working days following notification of award; otherwise, SCS may rescind its acceptance of the Proposer's proposal.
- Copy of State of Tennessee License (if applicable) in respective field.
- If applicable, the Proposer must include a copy of the contract(s) the Proposer will submit to be signed.

### 5.2. New Vendors

- To comply with Internal Revenue Service requirements, all vendors who perform any type of service are required to have a current IRS Form W-9 on file with the SCS Finance Department. It is a mandatory requirement to complete the IRS Form W-9 (Attachment 6.9) included in this RFP.
- To comply with the Tennessee Lawful Employment Act (50-1-702 and 50-1-703), non-employees (individuals paid directly by the employer in exchange for the individual's labor or services) must have on file one (1) of the following documents:
  - A valid Tennessee driver's license or photo identification;
  - A valid driver's license or photo identification from another state where the license requirements are at least as strict as those in Tennessee;
  - A birth certificate issued by a U.S. state, jurisdiction or territory;
  - A U.S. government issued certified birth certificate;
  - A valid, unexpired U.S. passport;
  - A U.S. certificate of birth abroad (DS-1350 or FS-545)
  - A report of birth abroad of a U.S. citizen (FS-240);
  - A certificate of citizenship (N560 or N561);
  - A certificate of naturalization (N550, N570 or N578);
  - A U.S citizen identification card (I-197 or I-179); or
  - Valid alien registration documentation or other proof of current immigration registration recognized by the United States Department of Homeland Security that contains the individual's complete legal name and current alien admission number or alien file number (or numbers if the individual has more than one number).



### 5.3. Acknowledgement of Insurance Requirements

By submitting a proposal, Proposer acknowledges that it has read and understands the insurance requirements for the proposal. The Proposer who may have employees, contractors, subcontractors or agents working on SCS properties shall carry current certificates for general and professional liability insurance and for workers' compensation as indicated below. The owner or Principal of each Proposer must also be insured by workers' compensation if they perform any of the services on SCS properties. There will be no exceptions to the insurance requirement. Proposer also understands that the evidence of required insurance must be submitted within fifteen (15) working days following notification of its offer being accepted; otherwise, SCS may rescind its acceptance of the Proposers proposal.

- **General Liability**

General Aggregate	\$2,000,000
Each Occurrence	\$1,000,000

- **Workers Compensation**

Workers Compensation	Tennessee Statutory Limits
Employer's Liability	\$500,000

### 5.4. Clarification and Interpretation of RFP

The words "must" and "shall" in the RFP indicate mandatory requirements. Taking exception to any mandatory requirement shall be considered grounds for rejection. There are other requirements that SCS considers important but not mandatory. It is important to respond in a concise manner to each section and submit an itemized list of all exceptions.

### 5.5. Proposal Package

The package containing the proposal must be sealed and clearly marked on the outside of the package:

**"20180628-BOE Gallatin High Football Concession Stand"**  
**DO NOT OPEN**

All sealed proposals packages must include all of the following. Any sealed proposals are subject to rejection as non-conforming if any applicable item is not included.

- One (1) Complete Original
- Two (2) additional copies of the Original
- One (1) electronic format (CD/USB Drive)
- Original Signature on Original Proposal. NO copied or digital signatures.

The outside of the proposal package must be labeled as follows (if applicable):

1. Name of Company and Principal Owner, Business License Number, Expiration Date and License Classification.
2. In addition to Item 1, the same is applicable to masonry contractors if the work performed is > \$100,000.
3. In addition to Item 1, the same is applicable to HVAC, electrical, plumbing or A/C contractors if the work performed is > \$25,000.
4. In addition to Item 1, the same is applicable plus the Department of Environment & Conservation License Number and Classification, applicable to geothermal contractors if the work performed is > \$25,000.
5. If the prime contractor performs the masonry portion of the project or any of the above listed contractor skill sets and the work performed is > \$100,000; it must be so designated.
6. Only one (1) contractor in each classification listed shall be written on the bid envelope.

#### 5.6. Delivery of Proposals

Sealed proposals will be accepted until **June 28, 2018 @ 2:00 p.m. Local Time**. Proposals received after that time will be deemed invalid. Vendors mailing proposal packages must allow sufficient time to ensure receipt of their package by the time specified. There will be no exceptions. Proposals will be opened and read aloud. The reading of the bids will begin at **2:00 p.m. Local Time**.

Due to the nature of deliveries to the SCS Support Services Facility by carriers such as UPS, FedEx and such like; the proposal package will be accepted if the date and time on the delivery confirmation are indicated to be on or before the Proposal Deadline.

Delivery Address:                    Sumner County Board of Education  
     Attn: Purchasing Supervisor  
     1500 Airport Road  
     Gallatin, TN 37066

#### 5.7. Evaluation of Proposals

The SCS Purchasing Supervisor will first examine the proposals to reject those that are clearly non-responsive to the stated requirements. Proposers who are determined to be non-responsive and/or non-responsible will be notified of this determination.

The evaluation process will include the following factors:

- Company Experience and Qualifications
  - The nature and scope of the Proposers business.
  - The number of years the Proposer has been licensed to do business.
  - The number of years the Proposer has been providing the requested services.
  - How many similarly sized or larger K-12 clients have you contract with?

- Compensation/Price Data
  - Address all costs associated with performance of the contracted services.
- Past Performance and References
  - Provided a minimum of three (3) client references for similar projects in size and scope successfully completed by Proposer. Attachment 6.3.
  - SCS may also consider other sources of pertinent past performance information, including the districts own experience with the Proposer.

#### 5.8. Request for Clarification of Proposals

Requests for clarification of proposals shall be distributed by the Purchasing Supervisor in writing (or email).

#### 5.9. Protests

In the event that any interested party finds any part of the listed specifications, terms or conditions to be discrepant, incomplete or otherwise questionable in any respect; it shall be the responsibility of the concerned party to notify the SCS Purchasing Office of such matters immediately upon receipt of the RFP. All notifications must be sent to the Purchasing Supervisor via email at [purchasing@sumnerschools.org](mailto:purchasing@sumnerschools.org).

Any actual or prospective Proposer who is aggrieved in connection with the RFP or award of a contract may protest to the Purchasing Supervisor and/or the Sumner County Board of Education at its regularly scheduled meeting.

**ATTACHMENT 6.1 – Contact Information**

Company Legal Name: \_\_\_\_\_

Company Official Address: \_\_\_\_\_

\_\_\_\_\_

Company Web Site (URL): \_\_\_\_\_

Contact Person for project administration:

Name: \_\_\_\_\_

Address: \_\_\_\_\_

\_\_\_\_\_

Phone Number: \_\_\_\_\_ (office)

\_\_\_\_\_ (mobile)

Email Address: \_\_\_\_\_

**BID FORM**

For

**Gallatin High Football Concession Addition**

June 28, 2018

**Owner:**

**Sumner County Board of Education, Tim Williams, Assistant Project Manager  
(615) 604-7015**

**Project Manager:**

**Gallatin Quarterback Club, Haynes Sloan Jr, (615) 294-5906**

**Contractor Name:** \_\_\_\_\_

**Address:** \_\_\_\_\_

**Telephone:** \_\_\_\_\_

**E-mail Address:** \_\_\_\_\_

**Contractor License Number:** \_\_\_\_\_

**Workman's Compensation Policy #:** \_\_\_\_\_

**Builder's Risk Insurance Policy #:** \_\_\_\_\_

**NOTE: Copies of current insurance policies must be provided prior to starting work.**

**IMPORTANT NOTE: In order to assure all bids are equitably compared, the Contractor must submit his proposal on this form.**

**LUMP SUM BID** shall include all material, labor, overhead, profit, permits, insurance, cleanup costs, etc. necessary to complete the job as specified herein & as shown on the attached drawings. The lump sum bid shall not include cost for items that may be identified as WORK BY OTHERS.

Each bidder shall add a **discretionary amount of \$3,000** to their calculated cost to determine the total Lump Sum Bid. No discretionary spending will be available to the bidder unless approved by the owner in writing.

LUMP SUM BID: \$ \_\_\_\_\_ .00

Acknowledgment of site visit with project manager prior to bid submittal:   
(NOTE: Scheduling will be determined by the project manager)

**ATTACHMENT 6.3 – References**

**Project Name/Location:** \_\_\_\_\_

Agency/Department: \_\_\_\_\_

Date of Project: \_\_\_\_\_ Dollar Value: \_\_\_\_\_

Owner Contact/Title: \_\_\_\_\_

Phone: \_\_\_\_\_ Email: \_\_\_\_\_

**Project Name/Location:** \_\_\_\_\_

Agency/Department: \_\_\_\_\_

Date of Project: \_\_\_\_\_ Dollar Value: \_\_\_\_\_

Owner Contact/Title: \_\_\_\_\_

Phone: \_\_\_\_\_ Email: \_\_\_\_\_

**Project Name/Location:** \_\_\_\_\_

Agency/Department: \_\_\_\_\_

Date of Project: \_\_\_\_\_ Dollar Value: \_\_\_\_\_

Owner Contact/Title: \_\_\_\_\_

Phone: \_\_\_\_\_ Email: \_\_\_\_\_

**Project Name/Location:** \_\_\_\_\_

Agency/Department: \_\_\_\_\_

Date of Project: \_\_\_\_\_ Dollar Value: \_\_\_\_\_

Owner Contact/Title: \_\_\_\_\_

Phone: \_\_\_\_\_ Email: \_\_\_\_\_

*\*Proposers may copy this page and submit additional references.*

**ATTACHMENT 6.4 – Certification Regarding Debarment or Suspension**

The prospective participant certifies, to the best of its knowledge and belief, that it and its principals:

- Are not presently debarred, suspended, proposed for debarment, declared ineligible or voluntarily excluded from participation in transactions under federal non-procurement programs by any federal department or agency;
- Have not, within the three-year period preceding the proposal, had one or more public transactions (federal, state or local) terminated for cause or default; and
- Are not presently indicated or otherwise criminally or civilly charged by a government entity (federal, state or local) and have not, within the three-year period preceding the bid, been convicted or had a civil judgement rendered against it:
  - For the commission of fraud or a criminal offense in connection with obtaining, attempting to obtain or performing a public transaction (federal, state or local) or a procurement contract under such a public transaction;
  - For the violation of federal or state antitrust statutes, including those proscribing price fixing between competitors, the allocation of customers between competitors, or bid rigging; or
  - For the commission of embezzlement, theft, forgery, bribery, falsification or destruction of records, making false statements, or receiving stolen property.

I understand that a false statement on this certification may be grounds for the rejection of this proposal or the termination of the award. In addition, under 18 U.S.C. 1001, a false statement may result in a fine of up to \$10,000 or imprisonment for up to five years, or both.

Name of Participating Agency: \_\_\_\_\_

Name and Title of Authorized Representative: \_\_\_\_\_

\_\_\_\_\_

Signature of Authorized Representative: \_\_\_\_\_

Date: \_\_\_\_\_

\_\_\_\_ I am unable to certify to the above statement. Attached is my explanation.

**ATTACHMENT 6.5 – Condition of Submitting Proposal**

The undersigned Proposer has carefully examined all instructions, requirements, specifications, terms and conditions of the RFP and certifies:

- It is a reputable company regularly engaged in providing goods and/or services necessary to meet the requirements, specifications, terms and conditions of the RFP.
- All statements, information and representations prepared and submitted in response to the RFP are current, complete, true and accurate. Proposer acknowledges that the Sumner County Board of Education (SCS) will rely on such statements, information and representations in selecting the successful proposer(s).
- That the prices quoted shall be SCSs pricing for the products and/or service.
- It shall be bound by all statements, representations, warranties and guarantees made in its proposal.
- Proposer acknowledges that the contract may be canceled if any conflict of interest or appearance of a conflict of interest is discovered by SCS, in its sole discretion.
- All purchase orders must be duly authorized and executed by SCS and subject to the terms and conditions of the RFP.

By checking this box, Proposer agrees that SCS reserves the right to extend the terms, conditions, and prices of this contract to other Institutions (such as State, Local and/or Public Agencies) who express an interest in participating in any contract that results from this RFP. Each of the piggyback Institutions will issue their own purchasing documents for the goods/services. Proposer agrees that SCS shall bear no responsibility or liability for any agreements between Proposer and the other Institution(s) who desire to exercise this option.

VENDOR LEGAL NAME: \_\_\_\_\_

AUTHORIZED SIGNATURE: \_\_\_\_\_

PRINTED NAME: \_\_\_\_\_ TITLE: \_\_\_\_\_

ADDRESS: \_\_\_\_\_

\_\_\_\_\_

PHONE: \_\_\_\_\_ (office)

\_\_\_\_\_ (mobile)

EMAIL: \_\_\_\_\_



**ATTACHMENT 6.6 – Statement of Non-Collusion**

The undersigned affirms that they are duly authorized to execute this contract, that this company, corporation, firm, partnership or individual has not prepared this proposal in collusion with any other respondent, and that the contents of this proposal as to prices, terms or conditions of said proposal have not been communicated by the undersigned nor by any employee or agent to any other person engaged in this type of business prior to the official opening of this proposal.

Company: \_\_\_\_\_

Address: \_\_\_\_\_

\_\_\_\_\_

Phone: \_\_\_\_\_ (office)

\_\_\_\_\_ (mobile)

Respondent Signature: \_\_\_\_\_

Respondent (Print Name & Title): \_\_\_\_\_

Authorized Company Official (Print Name): \_\_\_\_\_

ATTACHMENT 6.7 – Attestation Re Personnel

**ATTESTATION RE PERSONNEL USED IN CONTRACT PERFORMANCE**

CONTRACTOR LEGAL ENTITY NAME:	
FEDERAL EMPLOYER IDENTIFICATION NUMBER: <i>(or Social Security Number)</i>	

**The Contractor, identified above, does hereby attest, certify, warrant and assure that the Contractor shall not knowingly utilize the services of an illegal immigrant in the performance of this Contract and shall not knowingly utilize the services of any subcontractor who will utilize the services of an illegal immigrant in the performance of this Contract, T.C.A. § 12-3-309.**

SIGNATURE & DATE: \_\_\_\_\_

*NOTICE: This attestation MUST be signed by an individual empowered to contractually bind the Contractor.*

**ATTACHMENT 6.8 – Drug Free Workplace Affidavit**

The Sumner County Board of Education is committed to maintaining a safe and productive work environment for its employees and to providing high quality service to its citizens. The goal of this policy is for Sumner County Board of Education employees and contractors to remain, or become and remain, drug-free. Abuse and dependency on alcohol and/or drugs can seriously affect the health of employees, contractors and citizens, jeopardize personal safety, impact the safety of others and impair job performance.

**STATE OF** \_\_\_\_\_

**COUNTY OF** \_\_\_\_\_

The undersigned, principal officer of \_\_\_\_\_,  
an employer of five (5) or more employees contracting with Sumner County Board of Education to provide goods or services, hereby states under oath as follows:

1. The undersigned is a principal officer of \_\_\_\_\_  
(hereinafter referred to as the "Company") and is duly authorized to execute this Affidavit on behalf of the Company.
2. The Company submits this Affidavit pursuant to T.C.A. § 50-9-113, which requires each employer with no less than five (5) employees receiving pay who contracts with the state and any local government to provide contracted services to submit an affidavit stating that such employer has a drug-free workplace program that complies with Title 50, Chapter 9 of the *Tennessee Code Annotated*.
3. The Company is in compliance with T.C.A. § 50-9-113 and all applicable Federal Laws, Rules and Regulations requiring a drug-free workplace program.

Further affiant saith not.

**Principal Officer:** \_\_\_\_\_

**STATE OF** \_\_\_\_\_

**COUNTY OF** \_\_\_\_\_

Before me personally appeared \_\_\_\_\_, with whom I am personally acquainted (or proved to me on the basis of satisfactory evidence) and who acknowledged that such person executed the foregoing affidavit for the purposes therein contained.

Witness my hand and seal at office this \_\_\_\_\_ day of \_\_\_\_\_, 20\_\_\_\_.

\_\_\_\_\_  
Notary Public

My commission expires: \_\_\_\_\_

ATTACHMENT 6.9 – W9

Form <b>W-9</b> (Rev. December 2014) Department of the Treasury Internal Revenue Service	<b>Request for Taxpayer                  Identification Number and Certification</b>	<b>Give Form to the                  requester. Do not                  send to the IRS.</b>
---	--	--

Print or type See Specific Instructions on page 2.	1 Name (as shown on your income tax return). Name is required on this line; do not leave this line blank.	
	2 Business name/disregarded entity name, if different from above	
	3 Check appropriate box for federal tax classification; check only <b>one</b> of the following seven boxes: <input type="checkbox"/> Individual/sole proprietor or single-member LLC <input type="checkbox"/> Limited liability company. Enter the tax classification (C=C corporation, S=S corporation, P=partnership) ▶ _____ <b>Note.</b> For a single-member LLC that is disregarded, do not check LLC; check the appropriate box in the line above for the tax classification of the single-member owner. <input type="checkbox"/> Other (see instructions) ▶ _____	4 Exemptions (codes apply only to certain entities, not individuals; see instructions on page 3): Exempt payee code (if any) _____ Exemption from FATCA reporting code (if any) _____ <small>(Applies to accounts maintained outside the U.S.)</small>
	5 Address (number, street, and apt. or suite no.)	Requester's name and address (optional)
	6 City, state, and ZIP code	
	7 List account number(s) here (optional)	

<b>Part I Taxpayer Identification Number (TIN)</b>																									
Enter your TIN in the appropriate box. The TIN provided must match the name given on line 1 to avoid backup withholding. For individuals, this is generally your social security number (SSN). However, for a resident alien, sole proprietor, or disregarded entity, see the Part I instructions on page 3. For other entities, it is your employer identification number (EIN). If you do not have a number, see <i>How to get a TIN</i> on page 3.  <b>Note.</b> If the account is in more than one name, see the instructions for line 1 and the chart on page 4 for guidelines on whose number to enter.	<table border="1" style="width:100%; border-collapse: collapse;"> <tr> <td colspan="2" style="text-align: center;">Social security number</td> </tr> <tr> <td style="text-align: center;"> <table border="1" style="width:100%; border-collapse: collapse;"> <tr> <td style="width:20px; height: 20px;"></td> <td style="width:20px; height: 20px;"></td> <td style="width:20px; height: 20px;"></td> <td style="width:20px; height: 20px;"></td> <td style="width:20px; height: 20px;"></td> <td style="width:20px; height: 20px;"></td> <td style="width:20px; height: 20px;"></td> <td style="width:20px; height: 20px;"></td> <td style="width:20px; height: 20px;"></td> <td style="width:20px; height: 20px;"></td> <td style="width:20px; height: 20px;"></td> <td style="width:20px; height: 20px;"></td> </tr> </table> </td> <td style="text-align: center;">-</td> <td style="text-align: center;"> <table border="1" style="width:20px; height: 20px;"></table></td> <td style="text-align: center;">-</td> <td style="text-align: center;"> <table border="1" style="width:20px; height: 20px;"></table></td> <td style="width:20px; height: 20px;"></td> <td style="width:20px; height: 20px;"></td> <td style="width:20px; height: 20px;"></td> <td style="width:20px; height: 20px;"></td> <td style="width:20px; height: 20px;"></td> </tr> </table>	Social security number		<table border="1" style="width:100%; border-collapse: collapse;"> <tr> <td style="width:20px; height: 20px;"></td> <td style="width:20px; height: 20px;"></td> <td style="width:20px; height: 20px;"></td> <td style="width:20px; height: 20px;"></td> <td style="width:20px; height: 20px;"></td> <td style="width:20px; height: 20px;"></td> <td style="width:20px; height: 20px;"></td> <td style="width:20px; height: 20px;"></td> <td style="width:20px; height: 20px;"></td> <td style="width:20px; height: 20px;"></td> <td style="width:20px; height: 20px;"></td> <td style="width:20px; height: 20px;"></td> </tr> </table>													-	<table border="1" style="width:20px; height: 20px;"></table>	-	<table border="1" style="width:20px; height: 20px;"></table>					
Social security number																									
<table border="1" style="width:100%; border-collapse: collapse;"> <tr> <td style="width:20px; height: 20px;"></td> <td style="width:20px; height: 20px;"></td> <td style="width:20px; height: 20px;"></td> <td style="width:20px; height: 20px;"></td> <td style="width:20px; height: 20px;"></td> <td style="width:20px; height: 20px;"></td> <td style="width:20px; height: 20px;"></td> <td style="width:20px; height: 20px;"></td> <td style="width:20px; height: 20px;"></td> <td style="width:20px; height: 20px;"></td> <td style="width:20px; height: 20px;"></td> <td style="width:20px; height: 20px;"></td> </tr> </table>													-	<table border="1" style="width:20px; height: 20px;"></table>	-	<table border="1" style="width:20px; height: 20px;"></table>									
or																									
Employer identification number																									
<table border="1" style="width:100%; border-collapse: collapse;"> <tr> <td style="width:20px; height: 20px;"></td> <td style="width:20px; height: 20px;"></td> <td style="width:20px; height: 20px;"></td> <td style="width:20px; height: 20px;"></td> <td style="width:20px; height: 20px;"></td> <td style="width:20px; height: 20px;"></td> <td style="width:20px; height: 20px;"></td> <td style="width:20px; height: 20px;"></td> <td style="width:20px; height: 20px;"></td> <td style="width:20px; height: 20px;"></td> <td style="width:20px; height: 20px;"></td> <td style="width:20px; height: 20px;"></td> </tr> </table>													-	<table border="1" style="width:20px; height: 20px;"></table>											

<b>Part II Certification</b>			
Under penalties of perjury, I certify that:			
1. The number shown on this form is my correct taxpayer identification number (or I am waiting for a number to be issued to me); and 2. I am not subject to backup withholding because: (a) I am exempt from backup withholding, or (b) I have not been notified by the Internal Revenue Service (IRS) that I am subject to backup withholding as a result of a failure to report all interest or dividends, or (c) the IRS has notified me that I am no longer subject to backup withholding; and 3. I am a U.S. citizen or other U.S. person (defined below); and 4. The FATCA code(s) entered on this form (if any) indicating that I am exempt from FATCA reporting is correct.			
<b>Certification instructions.</b> You must cross out item 2 above if you have been notified by the IRS that you are currently subject to backup withholding because you have failed to report all interest and dividends on your tax return. For real estate transactions, item 2 does not apply. For mortgage interest paid, acquisition or abandonment of secured property, cancellation of debt, contributions to an individual retirement arrangement (IRA), and generally, payments other than interest and dividends, you are not required to sign the certification, but you must provide your correct TIN. See the instructions on page 3.			
<b>Sign Here</b>	<table style="width:100%;"> <tr> <td style="width:60%;">                 Signature of U.S. person ▶ _____             </td> <td style="width:40%;">                 Date ▶ _____             </td> </tr> </table>	Signature of U.S. person ▶ _____	Date ▶ _____
Signature of U.S. person ▶ _____	Date ▶ _____		

**General Instructions**

Section references are to the Internal Revenue Code unless otherwise noted.

**Future developments.** Information about developments affecting Form W-9 (such as legislation enacted after we release it) is at [www.irs.gov/fw9](http://www.irs.gov/fw9).

**Purpose of Form**

An individual or entity (Form W-9 requester) who is required to file an information return with the IRS must obtain your correct taxpayer identification number (TIN) which may be your social security number (SSN), individual taxpayer identification number (ITIN), adoption taxpayer identification number (ATIN), or employer identification number (EIN), to report on an information return the amount paid to you, or other amount reportable on an information return. Examples of information returns include, but are not limited to, the following:

- Form 1099-INT (interest earned or paid)
- Form 1099-DIV (dividends, including those from stocks or mutual funds)
- Form 1099-MISC (various types of income, prizes, awards, or gross proceeds)
- Form 1099-B (stock or mutual fund sales and certain other transactions by brokers)
- Form 1099-S (proceeds from real estate transactions)
- Form 1099-K (merchant card and third party network transactions)

- Form 1096 (home mortgage interest), 1098-E (student loan interest), 1098-T (tuition)
- Form 1099-C (canceled debt)
- Form 1099-A (acquisition or abandonment of secured property)

Use Form W-9 only if you are a U.S. person (including a resident alien), to provide your correct TIN.

*If you do not return Form W-9 to the requester with a TIN, you might be subject to backup withholding. See What is backup withholding? on page 2.*

By signing the filled-out form, you:

1. Certify that the TIN you are giving is correct (or you are waiting for a number to be issued).
2. Certify that you are not subject to backup withholding, or
3. Claim exemption from backup withholding if you are a U.S. exempt payee. If applicable, you are also certifying that as a U.S. person, your allocable share of any partnership income from a U.S. trade or business is not subject to the withholding tax on foreign partners' share of effectively connected income, and
4. Certify that FATCA code(s) entered on this form (if any) indicating that you are exempt from the FATCA reporting, is correct. See *What is FATCA reporting?* on page 2 for further information.

**ATTACHMENT 6.10 – Standard Terms & Conditions  
SUMNER COUNTY BOARD OF EDUCATION (SCS)**

**1. PREPARATION AND SUBMISSION OF BID.**

- a. Failure to examine any drawings, specifications, or instructions will be at the proposer's risk. Any deviation from the stated terms, conditions and specifications must be coordinated with and approved in writing by the SCS Purchasing Supervisor.
- b. RFP SUBMITTAL / SIGNATURE: Proposal shall give the full name and business address of the bidder. If the proposer is a corporation, the name shall be stated as it is in the corporate charter. Proposals must be signed in ink by the proposer's authorized agent. Unsigned proposals will be rejected. Proposals are to be sealed and the outside of the envelope is to reference the RFP number. The person signing the proposal must show their title, and if requested by the institution, must furnish satisfactory proof of his or her authority to bind his or her company in contract. Proposer understands that by submitting a proposal with an authorized signature, it shall constitute an offer to SCS. Proposals must be typewritten or in ink; otherwise they may not be considered. Purchase orders will be issued to the firm name appearing on the W9. Facsimile responses will not be considered.
- c. SCS is not responsible for any costs incurred by any vendor pursuant to the RFP. The vendor shall be responsible for all costs incurred in connection with the preparation and submission of its proposal.
- d. All proposers must be in compliance with T.C.A. § 62-6-119 at the time of proposal submission and provide evidence of compliance with the applicable provisions of the chapter before such proposal may be considered.
- e. Proposals are to be received in the location designated in the RFP no later than the specified date and time. Late submissions will NOT be opened or considered.
- f. No erasures permitted. Errors may be crossed out and corrections printed in ink or typewritten adjacent to error and must be initialed in ink by person signing the proposal.
- g. Specifications: Reference to available specifications shall be sufficient to make the terms of the specifications binding on the proposer. The use of the name of a manufacturer, or any special brand or make in describing an item does not restrict the proposer to that manufacturer or specific article, unless specifically stated. Comparable products of other manufacturers will be considered if proof of compatibility is contained in the proposal. Proposers are required to notify SCSs Purchasing Supervisor whenever specifications/procedures are not perceived to be fair and open. The articles on which the proposal is submitted must be equal or superior to that specified. Informative and Descriptive Literature: The proposer must show brand or trade names of the articles proposed, when applicable. It shall be the responsibility of the proposer, including proposer's whose product is referenced, to furnish with the proposer such specifications, catalog pages, brochures or other data as will provide an adequate basis for determining the quality and functional capabilities of the product offered. Failure to provide this data may be considered valid justification for rejection of proposer.
- h. Samples: Samples of items when called for, must be furnished free of expense, and if not destroyed will, upon proposer's request within ten (10) days of RFP opening, be returned at the proposer's expense. Each sample must be labeled with the proposer's name, manufacturer's brand name and number, RFP number and item reference.
- i. Time of Performance: The number of calendar days in which delivery is to be made after receipt of order shall be stated in the RFP and may be a factor in making an award, price notwithstanding. If no delivery time is stated in the bid, bidder agrees that delivery is to be made within two weeks (10 business days) of order.
- j. Transportation and delivery charges should be included in the price and be fully prepaid by the vendor to the destination specified in the RFP. Proposal prices shall include delivery of all items F.O.B. destination.
- k. New materials and supplies must be delivered unless otherwise specifically stated in the RFP.
- l. Alternate/multiple bids will not be considered unless specifically called for in the RFP.
- m. Only proposals submitted on RFP forms furnished by SCS will be considered.
- n. By signing this RFP where indicated, the proposer agrees to strictly abide by all local, state and federal statutes and regulations. The proposer further certifies that this proposer is made without collusion or fraud.
- o. Error in Proposal. In case of error in the extension of prices in the proposal, the unit price will govern. Late submissions will NOT be opened or considered. Proposers are cautioned to verify their proposals before submission, as amendments received after the ITB deadline will not be considered. No proposals shall be altered, amended or withdrawn after opening. After proposal opening, a proposer may withdraw a proposal only when there is obvious clerical error such as a misplaced decimal point, or when enforcement of the proposal would impose unconscionable hardship due to an error in the proposal resulting in a quotation substantially below the other proposals received. Proposal withdrawals will be considered only upon written request of the proposer.

2. **OPEN RECORDS.** In order to comply with the provisions of the Tennessee Open Records Act, all proposals will be publicly opened and are subject to public inspection after the award upon written request. Proposers may be present at ITB opening. Summary information will be posted the SCS website, [www.sumnerschools.org](http://www.sumnerschools.org) under the Invitation to Bid link.
3. **ACCEPTANCE AND AWARD.** SCS reserves the right to reject any and all proposals and to waive any informality in proposals and, unless otherwise specified by the proposer to accept any item in the proposal. Action to reject all proposals shall be taken for unreasonably high prices, errors in the proposal documents, cessation of need, unavailability of funds, or any other reason approved by SCS.
  - a. Contracts and purchases will be made with the lowest, responsive, responsible, qualified proposer. The quality of the articles to be supplied, their conformity with the specifications, their suitability to the requirements of the Institution, cash discount offered, and the delivery terms will be taken into consideration.
  - b. Any deviation from these stated terms, specifications and conditions must be coordinated with and approved in writing by the Purchasing Supervisor.
  - c. Prices quoted on the response (if any) are to be considered firm and binding until the said equipment, supplies or services are in the possession of SCS.
  - d. SCS reserves the right to order more or less than the quantity listed in the proposal.
  - e. If a proposer fails to state a time within which a proposal must be accepted, it is understood and agreed that SCS shall have ninety (90) days to accept.
  - f. No purchase or contract is authorized or valid until the issuance of a SCS purchase order in accordance with SCS policy. No SCS employee is authorized to purchase equipment, supplies or services prior to the issuance of such a purchase order.
  - g. The contract may not be assigned without written SCS consent.
  - h. If the appropriate space is marked on the ITB, other Institutions (such as State, Local and/or Public Agencies) may purchase off the contract during the same period as SCS.
  - i. The awarded proposer will be required to post a performance and payment bond in the amount of 25% of the contract price if it exceeds \$100,000 as stated by T.C.A. §12-4-201.
  - j. If the project cost is in excess of \$25,000 a performance bond must be secured by the requesting part in an amount equal to the market improvement value.
4. **PAYMENT.** Payment terms must be specified in the proposal, including any discounts for early payment. Partial payments will not be approved unless justification for such payment can be shown. Terms will be NET 30 days. Payment will not be made until the conditions and specifications of the RFP are inspected and approved as conforming by persons appointed by SCS.
5. **DEFAULT OF SELECTED VENDOR.** In case of vendor default, SCS may procure the articles or services from other sources and hold the defaulting vendor responsible for any resulting cost. If the awarded vendor violates any terms of their response, the contract, SCS policy or any law, they may be disqualified from proposing for a period of two years for minor violations or longer for major violations. Proposals from disqualified proposers will not be accepted during the period of disqualification.
6. **INSPECTION OF PURCHASES.** Articles received which are not equivalent will not be accepted and will be picked up by the vendor or returned to vendor, shipping charges collect. SCS shall have a reasonable period in which to inspect and accept or reject materials without liability. If necessity requires SCS to use nonconforming materials, an appropriate reduction in payment may be made.
7. **TAXES.** SCS is tax exempt; do not include taxes in quotation. Vendors making improvements or additions to or performing repair work on real property for SCS are liable for any applicable sales or use tax on tangible personal property used in connection with the contract or furnished to vendors by the state for use under the contract.
8. **NONDISCRIMINATION.** SCS is an equal opportunity employer. SCS and bidder agree to comply with Titles VI and VII of the Civil Rights Act of 1964, Title IX of the Education Amendments of 1972, Section 504 of the Rehabilitation Act of 1973, Executive Order 11,246, the Americans with Disabilities Act of 1990 and the related regulations to each. Each party assures that it will not discriminate against any individual including, but not limited to employees or applicants for employment and/or students, because of race, religion, creed, color, sex, age, disability, veteran status or national origin. In the event that any claims should arise with regards to violations of any such local, state or federal law, statues, rule or regulations, the vendor will indemnify and hold SCS harmless for any damages, including court costs or attorney fees, which might be incurred.

- 9. PROHIBITIONS/NO VENDOR CONTRACT FORM.** Acceptance of gifts from vendors is prohibited. T.C.A. §12-4-106. The contract documents for purchase under this RFP shall consist of the successful proposer's bid and SCS's purchase order. **The proposer may request exceptions to terms and conditions and/or request SCS to accept other terms and conditions by means of subsequent documents such as invoices, warranty agreements, license agreements, etc. All subsequent document shall be open to revision for impermissible language. SCS reserves the right to render the proposal unresponsive and subject the proposal to rejection if successful terms cannot be negotiated.**
- 10. PROHIBITION ON HIRING ILLEGAL IMMIGRANTS.** Tennessee Public Chapter No. 878 of 2006, T.C.A. §12-3-309, requires that Contractor attest in writing that Contractor will not knowingly utilize the services of illegal immigrants in the performance of this Contract and will not knowingly utilize the services of any subcontractor, if permitted under this Contract, who will utilize the services of illegal immigrants in the performance of this Contract. The attestation shall be made on the form, Attestation re Personnel Used in Contract Performance ("the Attestation"), which is attached and hereby incorporated by this reference.
- 11. SALES AND USE TAX.** Before the Purchase Order/Contract resulting from this RFP/RFQ is signed, the apparent successful proposer must be registered with the Department of Revenue for the collection of Tennessee sales and use tax as required by T.C.A. §12-3-306.
- 12. ASSIGNMENT.** Neither the vendor nor SCS may assign this agreement without prior written consent of the other party.
- 13. LIABILITIES.** The vendor shall indemnify SCS against liability for any suits, actions or claims of any character arising from or relating to the performance under this agreement by the vendor or its subcontractors. SCS has no obligation for the payment of any judgement or the settlement of any claim made against the vendor or its subcontractors as a result of obligations under this contract.
- 14. APPLICABLE LAW.** Any contract shall be interpreted under the laws and statutes of the State of Tennessee. SCS does not enter into contracts which provide for mediation or arbitration. Any action arising from any contract made from this RFP shall be brought in the state courts in Sumner County, TN or in the United States Federal District Court for the Middle District of Tennessee.
- Additionally, it is a violation of state statutes to purchase materials, supplies, services or any other item from a vendor that is a commissioner, official, employee or board member that has any financial or beneficial interest in such transaction, T.C.A. §12-4-101.
- 15. FUNDS.** The Proposer understands and accepts the non-appropriation of funds provision of SCS.
- 16. DATA PRIVACY AND SECURITY.** Personal Information (PI) includes but is not limited to that information protected by HIPAA, the HITECH Act, FERPA, or Gramm-Leach-Bliley) or such information which would allow a third party to gain access to the personal, medical or financial records of any of any party. Vendor represents and warrants that its collection, access, use, storage, disposal and disclosure of PI complies with all applicable federal and state privacy and data protection laws. Vendor represents and warrants that Vendor will maintain compliance with the SSAE 16 standard, and shall undertake any audits and risk assessments Vendor deems necessary to maintain compliance with SSAE16. If PI provided by SCS to Vendor is subject to FERPA. Vendor agrees that in its handling of FERPA data it will perform as a school official as that term is defined by FERPA regulations. Vendor acknowledges that its improper disclosure or re-disclosure of PI covered by FERPA may, under certain circumstances, result in Vendor's exclusion from eligibility to contract with SCS for at least five (5) years. Vendor shall provide SCS with the name and contact information for an employee of Vendor who shall serve as SCS's primary security contact and shall be available to assist Customer twenty-four (24) hours per day, seven (7) days per week as a contact in resolving obligations associated with any security incident in which it is reasonably suspected that there has been a breach of information security. Vendor shall immediately mitigate or resolve any Security Incident, at Vendor's expense and in accordance with applicable privacy rights, laws, regulations and standards. Vendor shall reimburse SCS for actual costs incurred by SCS in responding to, and mitigating damages caused by, any Security Incident, including all costs of notice and/or remediation incurred under applicable law as a result of the Security Incident.
- 17. IRAN DIVESTMENT ACT.** By submission of this proposal, each proposer and each person signing on behalf of any proposer certified, and in the case of a joint proposal, each party thereto certifies as to its own organization, under penalty of perjury, that to the best of its knowledge and belief that each proposer is not on the list created pursuant to T.C.A. §12-12-106.

## ATTACHMENT 6.11 – Vendor Checklist

### Vendor Checklist for Prevention of Common RFP Mistakes that lead to Proposal Rejection

#### 1. Submission of Proposal

- On-Time Submittal
  - Deadline is listed in Section 4 – Schedule of Events
  - Late Proposals will be IMMEDIATELY DISQUALIFIED
- A Proposer may not submit alternate proposals unless requested.
- Tax not included in cost proposal.
- Clearly marked outside of envelope/package.
  - RFP Number and “DO NOT OPEN”
  - Vendor Name, License Number, Expiration Date & License Classification (if applicable)
  - Other License data as required in Section 5.6 – Proposal Package
- No erasures on proposal documents.

#### Correct Format:

- One (1) Complete Original (*Section 5.6 & Attachment 6.2*)
- Two (2) Additional copies of the Original (*Section 5.6*)
- One (1) Electronic format copy - CD/USB Drive (*Section 5.6*)
- Original Signature on Original Proposal. NO copied or digital signatures (*Section 5.6 & Attachment 6.2*)

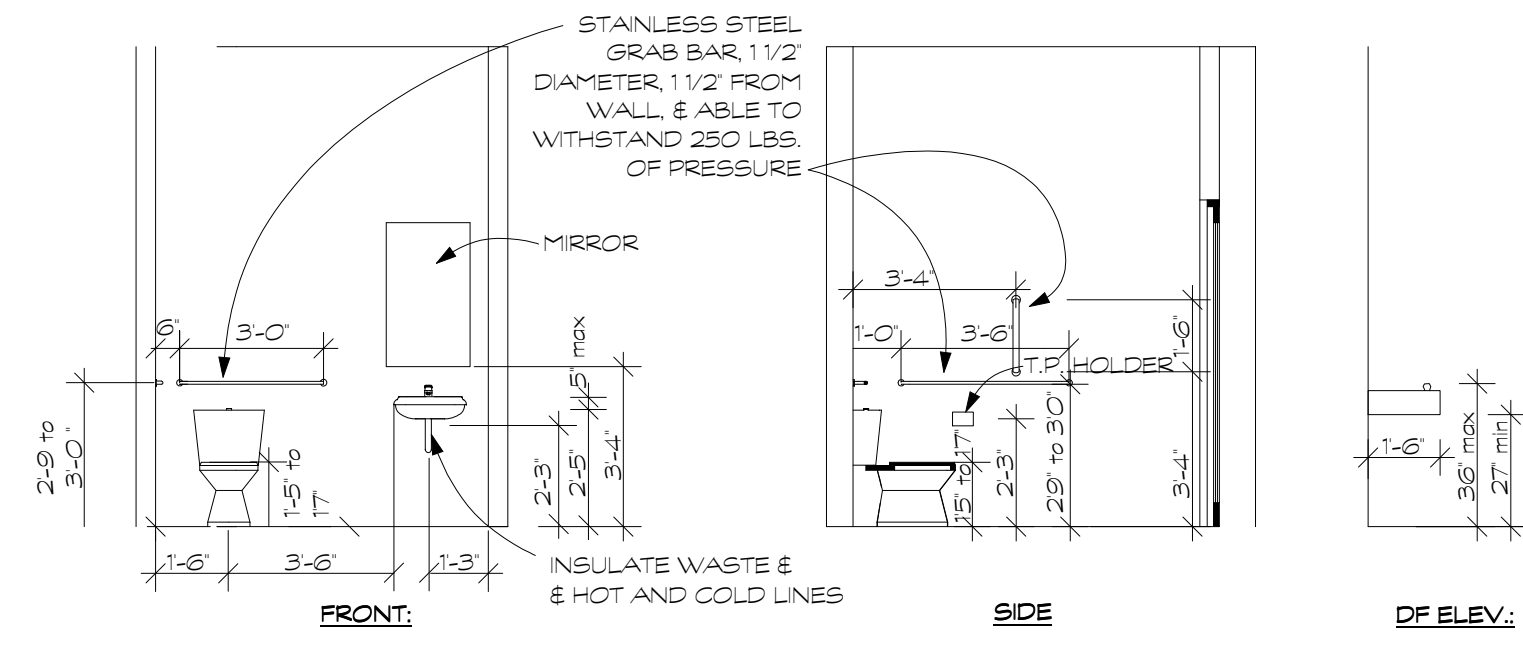
#### 2. Required Forms

- Evidence of Business License (*Section 5.1*)
- Completed “Contact Information” form (*Attachment 6.1*)
- Signed and dated “Bid Form/Certification” form (*Attachment 6.2*)
- Complete “Reference” form (*Attachment 6.3*)
  - Must meet the criteria established in Section 5.8 – Evaluation of Proposals.
- Signed and dated “Certification Regarding Debarment or Suspension” form (*Attachment 6.4*)
- Signed and dated “Condition of Submitting Proposal” form (*Attachment 6.5*)
- Signed and dated “Statement of Non-Collusion” form (*Attachment 6.6*)
- Signed and dated “Attestation Re Personnel” form (*Attachment 6.7*)
- Signed, dated and notarized “Drug Free Workplace Affidavit” form (*Attachment 6.8*)
- Signed and dated “IRS Form W-9” form (*Attachment 6.9*)

**\*This checklist does not represent a complete list of, or replacement for, the mandatory requirements listed in the RFP. This checklist is ONLY A TOOL meant to assist in the prevention of disqualification.**

**\*\*Notations on proposals that materials submitted be kept confidential will not be honored. All proposal documents and contracts become public record.**

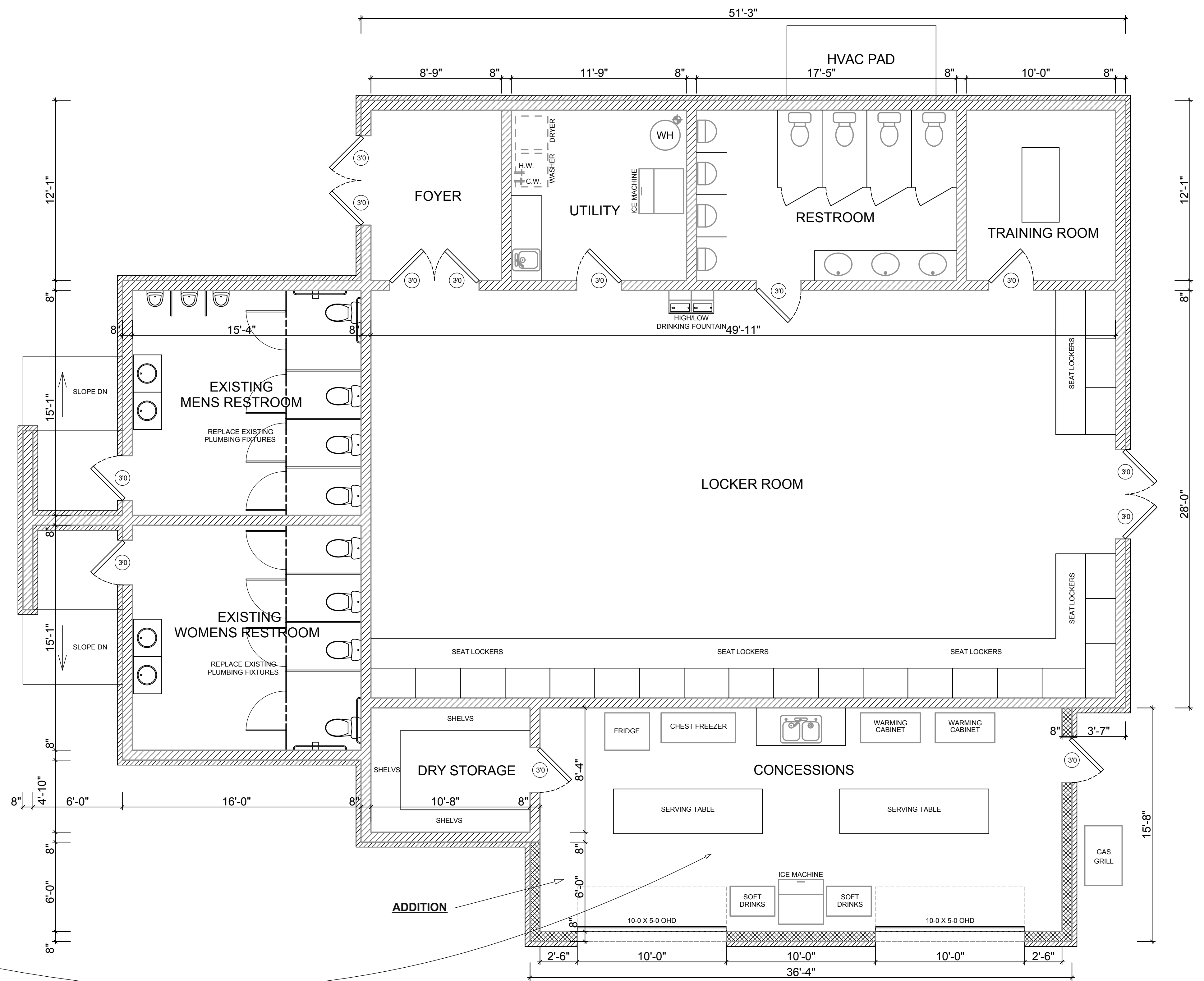




TYPICAL HANDICAP ADULT MOUNTING HEIGHTS  
SCALE: 1/4"=1'-0"

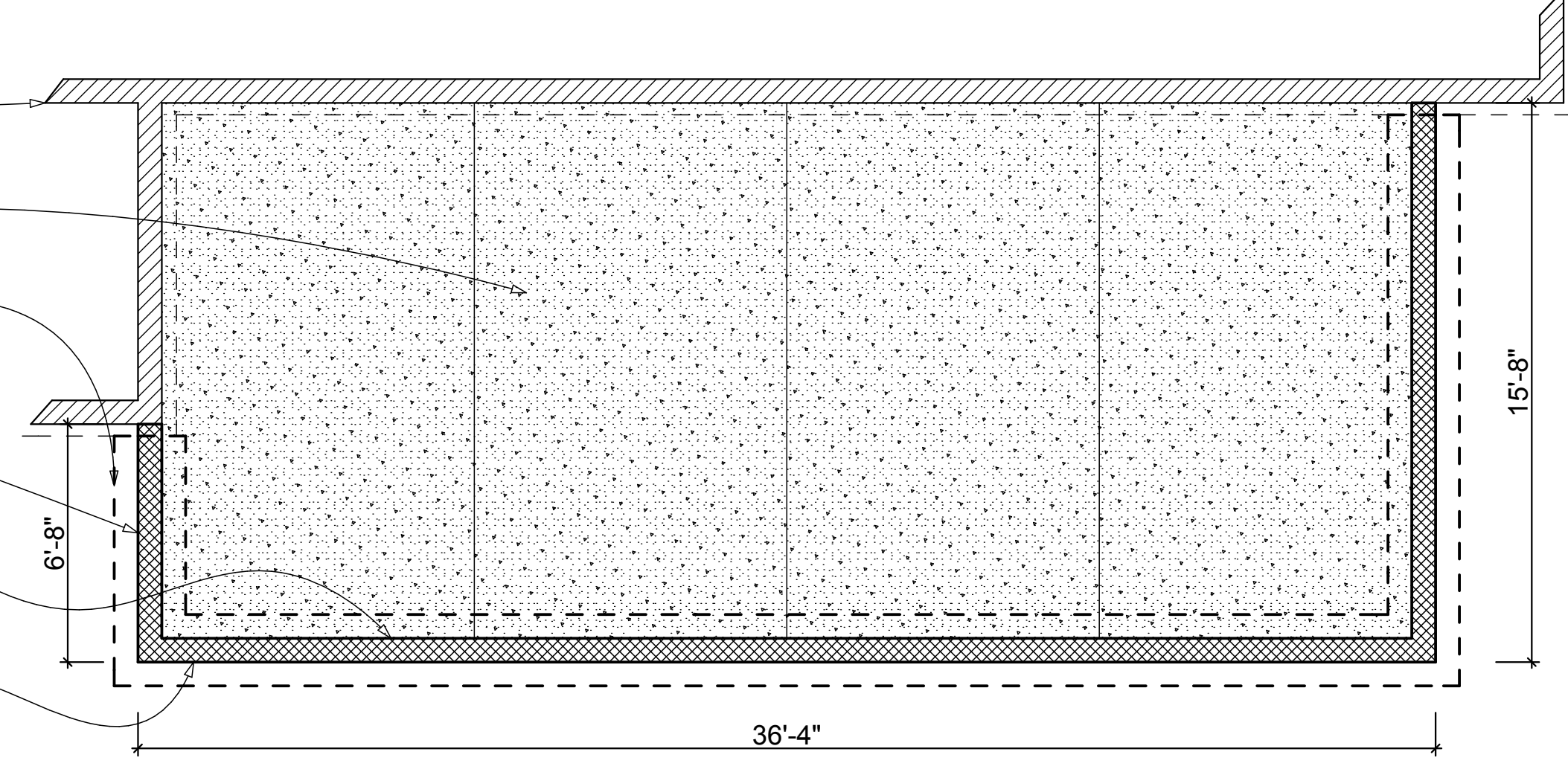
**GENERAL NOTES:**

1. Verify existing conditions prior to beginning work.
2. Coordinate with Owner as to Owner provided items.
3. Provide Accessible Route to Public Restrooms, Thresholds to max. of 1/2" high
4. Provide lever door hardware, or push/ pull plates
5. Work shall comply with 2009 edition of IBC.



Roof Framing to be 2x8's at 16"oc or better  
Decking to 5/8" decking T&G or clips.  
Hurricane clips at each rafter at bearing plate  
2x8 PT bearing plate at top of Bond beam w/  
1/2" AB at 4' oc max.

- Existing CMU
- New 4" Concrete Slab w/ 6x6-2.1x2.1 WWM over 6 mil vapor barrier, over 4" compacted crushed stone
- 2' wide, 1' deep cont. concrete footing w/ 3-#5's cont. w/ #5 ties at 2'oc, bottom of footing to be min. of 2' below finish grade.
- 8" CMU with horz. truss type reinf. @ 16"oc. Grout vertical cells solid w/ #4 bar at corners, adj. to openings and at 4'oc.
- 16" bond beam over OH door openings w/ 2-#5 cont. and 8" bearing min.
- 8" CMU bond beam w/ 1-#5 cont. at top course



Project No. 2018misc  
Drawn by:  
Reviewed by:



**M&A**  
Matchett and Associates Architects

113 East Main St.  
Gallatin, TN 37066  
615/451-1505

**Renovation of Gallatin Green Wave Field**  
  
**Gallatin, Tennessee**

Floor Plan  
Fnd Plan  
Notes

Date: 5/9/18  
Revisions:  
Date: \_\_\_\_\_ Mark: \_\_\_\_\_

**A-1**  
Sheet of \_\_\_\_\_



**M&A**  
**Matchett**  
**and**  
**Associates**  
 Architects

113 East Main St.  
 Gallatin, TN 37066  
 615/451-1505

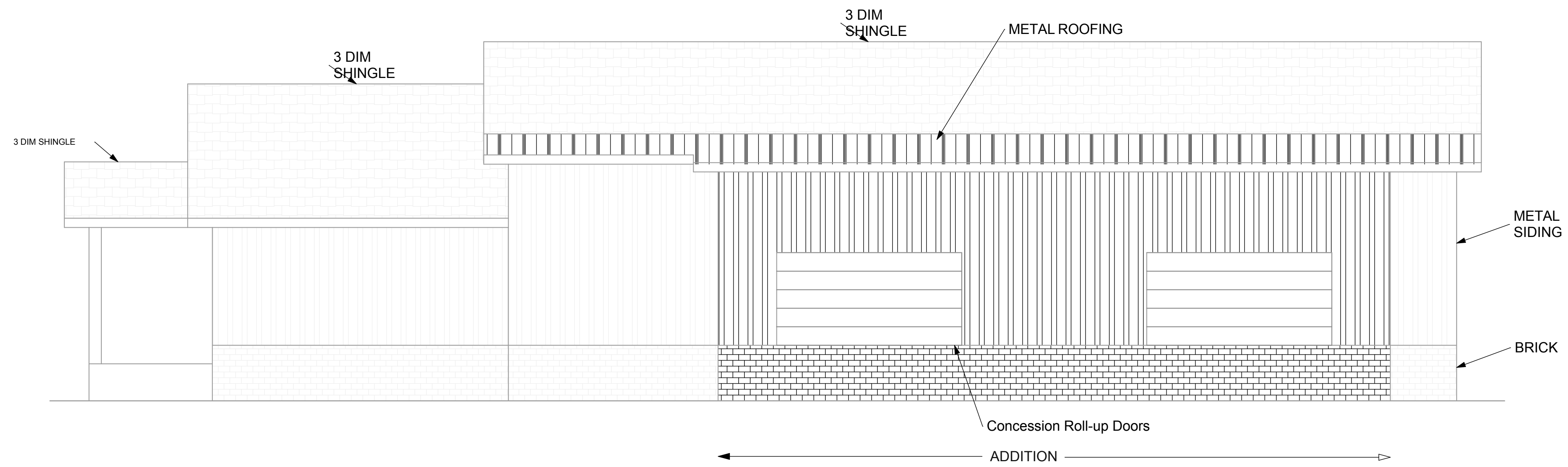
**Renovation**  
**of**  
**Gallatin**  
**Green Wave**  
**Field**

**Gallatin,**  
**Tennessee**

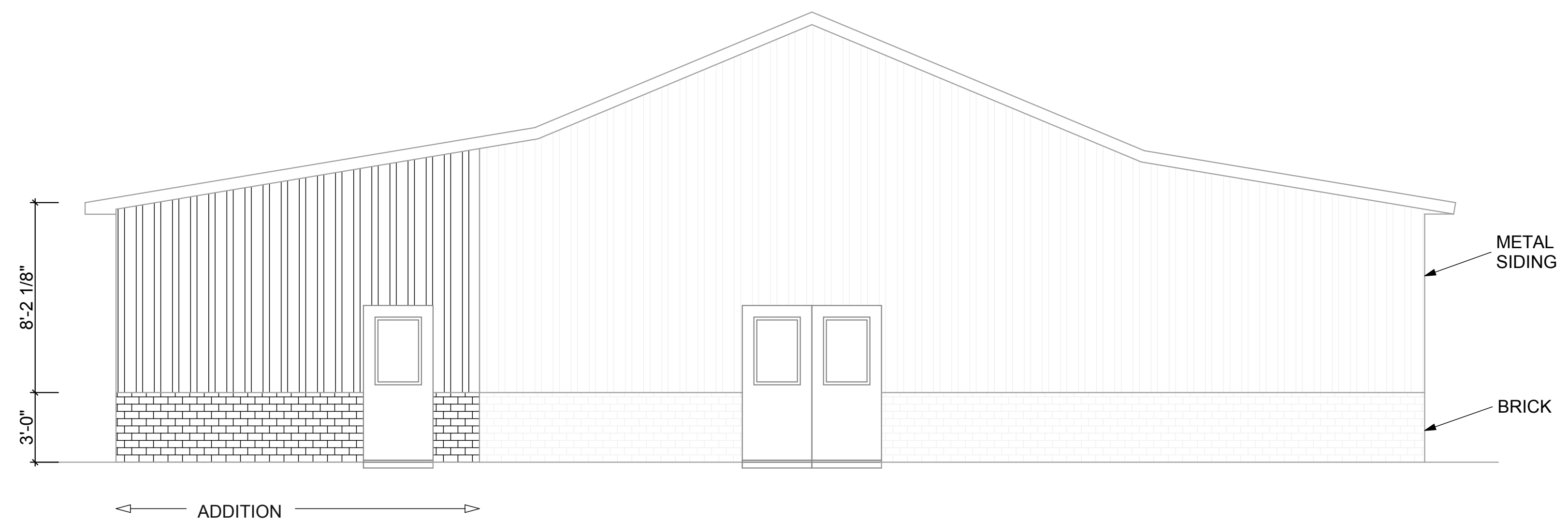
Exterior  
 Elevations

Date: 5/9/18  
 Revisions:  
 Date: \_\_\_\_\_ Mark: \_\_\_\_\_

**A-2**  
 Sheet of \_\_\_\_\_



**SIDE ELEVATION**  
 SCALE: 1/4"=1'-0"



**BACK ELEVATION**  
 SCALE: 1/4"=1'-0"